

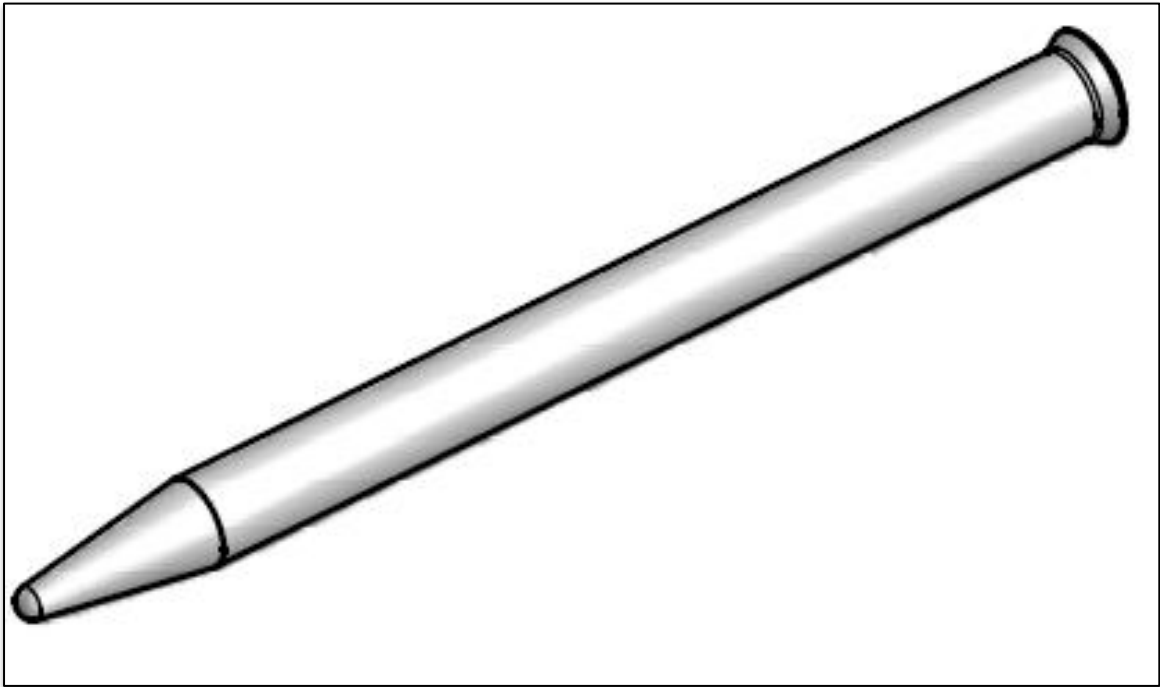


## PIT Spare parts/Accessories

July 2024

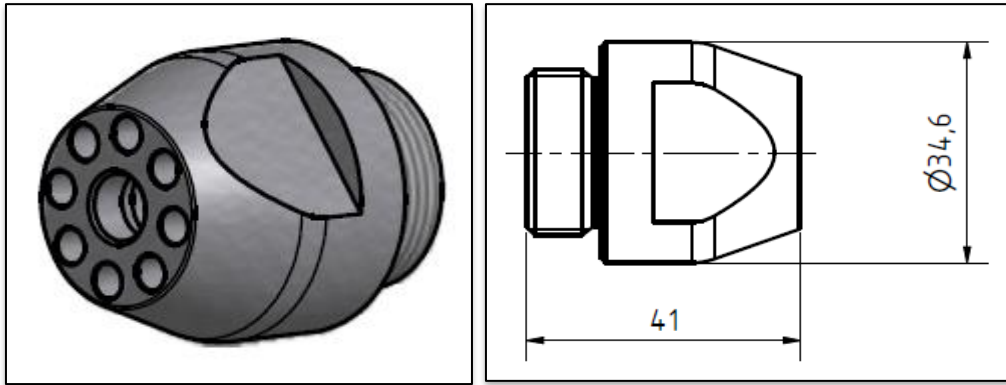
Technical as well as price changes reserved!

**Pins**  
(see intensity-notice on page 9)



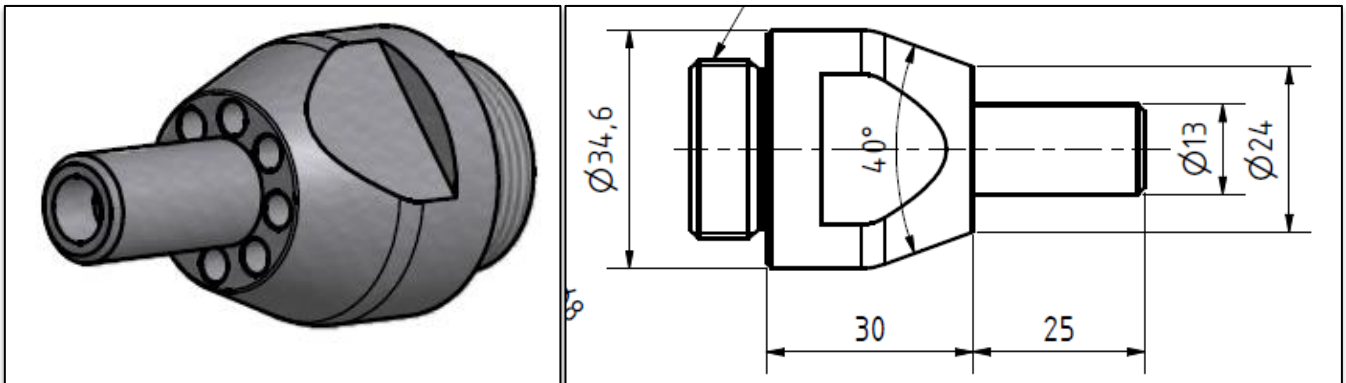
Description	Article number	Price without tax
Pin 80mm long and radius 1,5mm	SB8-S15	75,00 €
Pin 110 mm long and radius 1,5 mm	SB8-L15	89,00 €
Pin 80mm long and radius 2mm	SB8-S20	75,00 €
Pin 110mm long and radius 2mm	SB8-L20	89,00 €
Pin XL 180mm long and radius 2mm	SB8-X20	128,00 €
Pin 80mm long and radius 4 mm	SB8-S40	75,00 €
Pin 110mm long and radius 4mm	SB8-L40	89,00 €

## Pin holder standard (Steel)



Description	Article number	Price without tax
Pin holder standard	BH8-S10	138,00 €

## Pin holder XL (Steel)



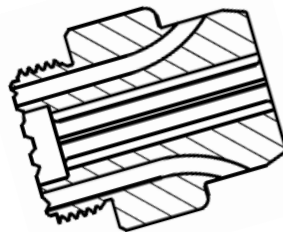
Description	Article number	Price without tax
PIN-holder XL	BH8-X10	155,00 €

**Pin holder 3D-printed (plastics)  
for quicker PIN changing without tools**



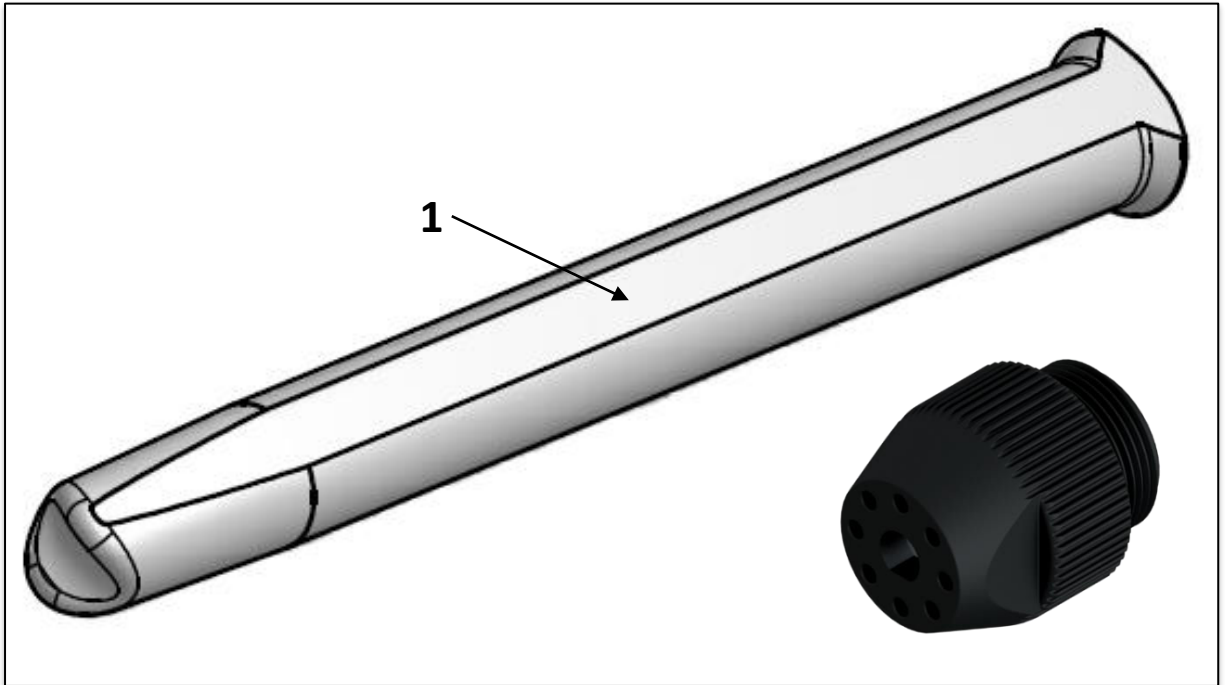
Description	Article Number	Price without tax
Pin holder 3D-standard	BH8-D10	149,00 €

**PIN holder 3D-printed (plastics)  
blows the air to the side to prevent cooling of the weld  
for intermediate layer peening**



Description	Article Number	Price without tax
Pin holder with side blowing	BH8-DS10	149,00 €

**Pin concave**  
(see intensity-notice on page 9)



Description	Article number	Price without tax
Pin 80mm long concave	SB8-SKK	225,00 €
Pin 110 mm long concave	SB8-SKL	230,00 €
Pin holder for concave Pin (plastics)	BH8-F10	149,00 €

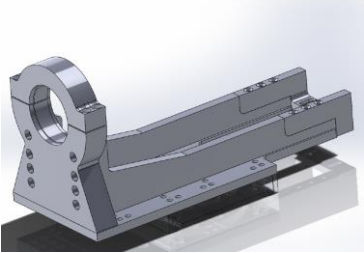
Please note that the concave pins **SB8-SKK / SKL** can only be used with the associated pin holder **BH8-F10**. The ground surface (**1**) combined with the bolt holder for concave pins prevents twisting of the pin and ensures an optimal and reproducible PIT treatment.

## Quality control

Description	Article Number	Price without tax
 <p><b>PIT-Intensity-Kit</b> for checking of the correct device-intensity Measuring instrument with digital dial indicator, PIT-Strip-Holder, 1 pct. Measuring strips (25), test block, in case</p>	<p><b>PIT-IK-01</b></p>	<p><b>2.275,00 €</b></p>
 <p><b>Almen-strips C-1 – standard</b> <b>25 pc.</b></p>	<p><b>AT-St-C</b></p>	<p><b>70,00 €</b></p>

New

## Misellaneous

Description	Article	Price without tax
Robot connection frame 	PIT-RH	2.240,00 €
Air filter unit Festo	LFE-F01	180,00 €
Package lengthening 10m	SV8-S10	730,00 €
Package lengthening >10m individual per additional meter	Sv8-S10i	35,00 €
Device inspection and cost estimate for possible repairs		150,00 €
Change muscle unit complete incl. calibration		1.350,00 €
3 x tins of lubricants AT 44		60,00 €
Magnet rubber for leading of the Pins (meter)		79,00 €
PIT – LED Magnifier for optical quality control		18,50 €

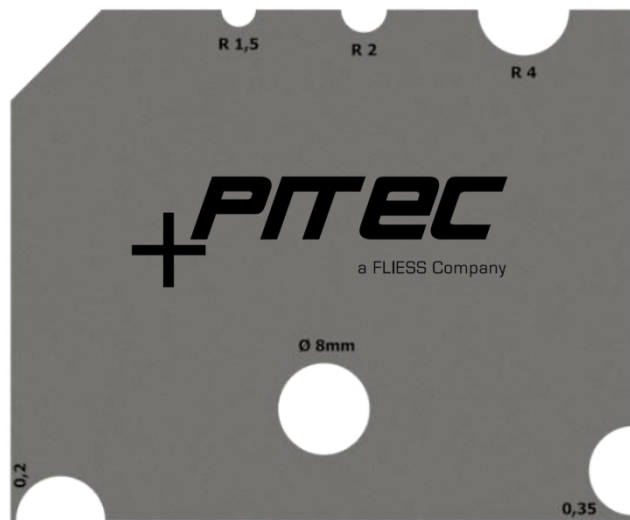
July 2024

Technical as well as price changes reserved!

## PIT QS-gauge for quality assurance

Description	Article	Price without tax
PIT QS-gauge	PIT-QS2	37,00 €

QS-gauge made of stainless steel, for checking the circumference and the radii of the PIT pins, as well as the minimum track depth according to IIW.



July 2024

**Technical as well as price changes reserved!**



## **More or other accessories on inquiry!**

All prices are without tax and shipping costs.

For standard shipping till 5 kg we will invoice the following shipping & handling expenses:

- In Germany 20 €
- Outside of Germany but in EU 30 €
- Switzerland 40 €

**Minimum order 300,00 €, for smaller orders we charge  
a minimum order surcharge of 30,00 €.**

**Outside of the EU we will invoice the real shipping costs plus a handling of 25 €!**

### **Intensity information:**

Please, note that the full effect of the PIT technology is to be affiliated with the fact, that the highest intensity is achieved with the standard bolts of the length 80 mm and a perpendicular angle of treatment.

For positions that aren't easily accessible, the PITEC has developed different bolts which make a treatment in such places possible. Regarding the angle of treatment and other influencing factors you still will accomplish good results, but the intensity may be lower.

## Please send your commercial order to:

PITEC Deutschland GmbH  
Essenberger Straße 91  
D-47059 Duisburg  
[info@pitec-gmbh.com](mailto:info@pitec-gmbh.com)  
[www.pitec-gmbh.com](http://www.pitec-gmbh.com)

## Please send your Equipment for inspection or repair to:

PITEC Deutschland GmbH  
Sales & Technical Service  
Siemensstraße 1b  
D-50170 Kerpen-Sindorf  
Tel: +49 (0) 2273 95108-60  
Fax: +49 (0) 2273 95108-61  
[info@pitec-gmbh.com](mailto:info@pitec-gmbh.com)  
[www.pitec-gmbh.com](http://www.pitec-gmbh.com)